



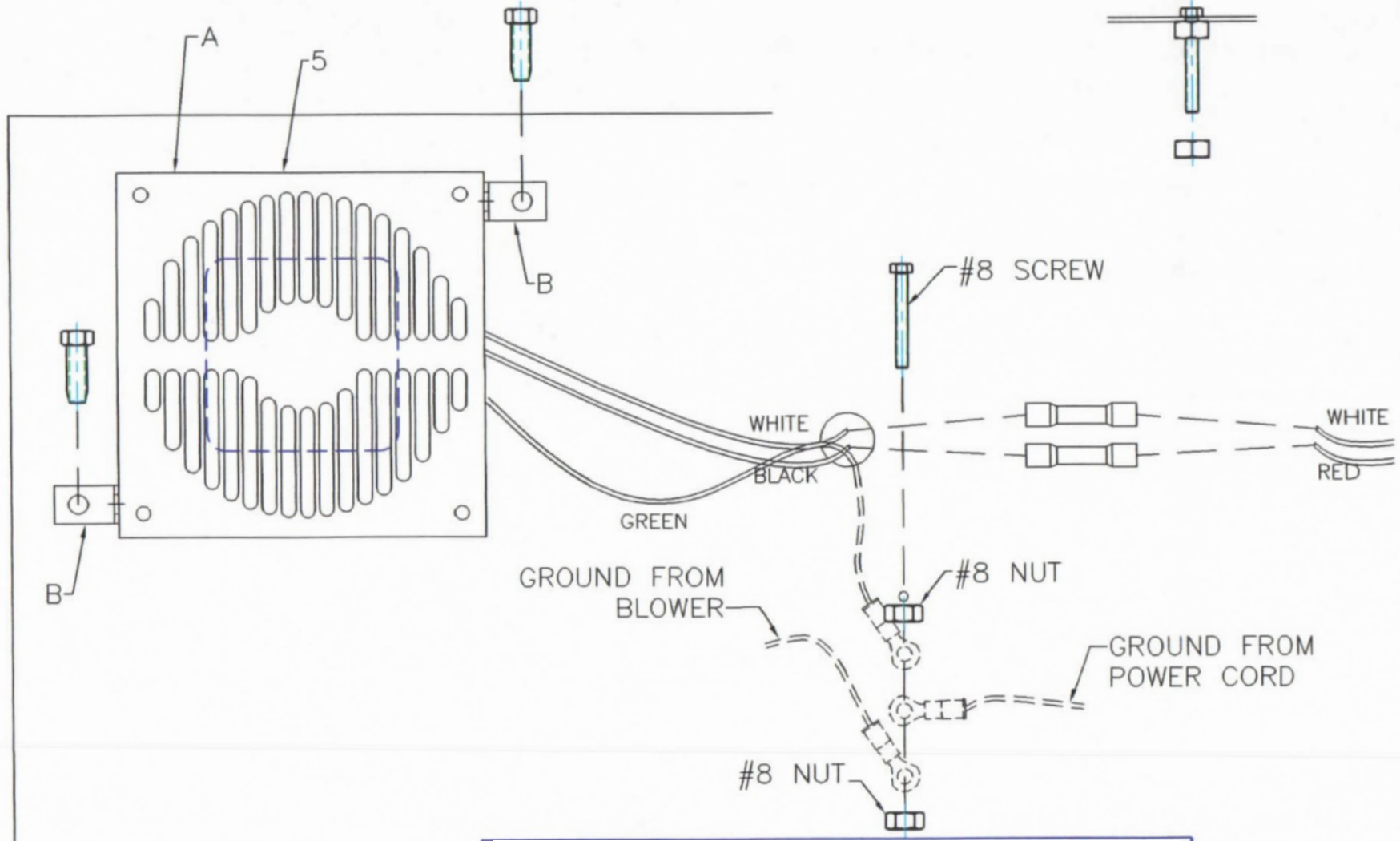
2320 Lakecrest Drive, Pekin IL 61554
PH. (888) 747-4389 • Fax (309) 495-0625
Website: www.getzequipment.com

**Element Replacement Kit
P/N 3G59453**

**UNPLUG THE DRYER FROM THE RECEPTICAL BEFORE BEGINNING
FOLLOW YOUR COMPANY LOCKOUT TAGOUT PROCEDURES**

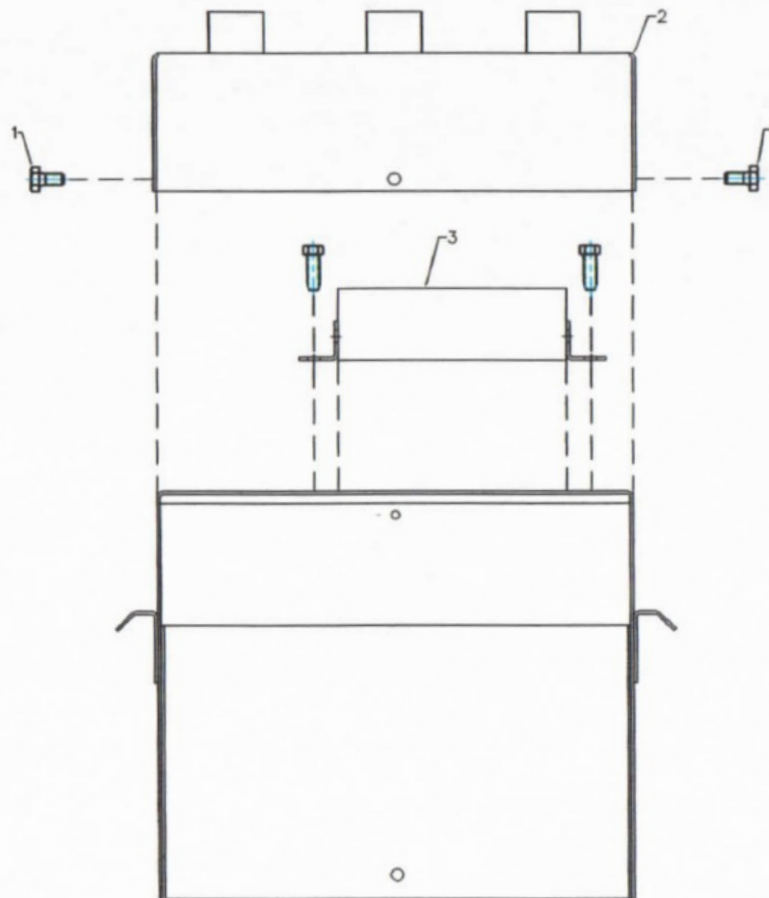
1. Remove the four screws item #1.
2. Remove the top cover item #2.
3. Remove the old element by unbolting it from the case.
4. Attach the new element item #3 using the same bolt holes from the old element.
5. Guide the white, black, and green wires thru the panel hole as shown.
6. Attach the white wire from the element to the white wire from the switch and the black wire from the element to the red wire from the switch using the provided crimp butt connectors.
7. Connect the green ground wire to the #8 size machine screw between the threaded nuts with the ground wires from the power cord and blower, and then tighten the nuts.
8. Reassemble the top item #2 and secure it with the screws #1.

INDEX	P/N	DESCRIPTION	QTY
A	1G53768	ELEMENT HEATING DELTA NEW	1.000
B	1G53769	BRACKET L ELEMENT	2.000



THIS DRAWING IS THE EXCLUSIVE AND CONFIDENTIAL PROPERTY OF GETZ EQUIPMENT. IT SHALL NOT BE DUPLICATED, USED OR DISCLOSED TO OTHERS WITHOUT THE EXPRESS WRITTEN CONSENT OF GETZ EQUIPMENT.

REV	DRAWING CHANGE	BY	ECN NO.	DATE	MATERIAL	FINISH	SHEET NO.	BN NO.
					DWN BY CPG	CK'D D.C.	1 OF 2	
TOLERANCES UNLESS OTHERWISE SPECIFIED					SCALE 1/2"=1"	DATE 2-7-05	DWG. NO.	REV.
FRAC. ±.020	2 PL DEC ±.010	3 PL DEC ±.003			TITLE KIT ELEMENT DELTA		3G59453	*



THIS DRAWING IS THE EXCLUSIVE AND CONFIDENTIAL PROPERTY OF GETZ EQUIPMENT. IT SHALL NOT BE DUPLICATED, USED OR DISCLOSED TO OTHERS WITHOUT THE EXPRESS WRITTEN CONSENT OF GETZ EQUIPMENT.

A	MODIFIED TOP REMOVED OLD STYLE ELEMENT		C G	1/24 08	MATERIAL	FINISH	SHEET NO. 2 OF 2	BIN NO.
	REV	DRAWING CHANGE	BY	ECN NO.	DATE	DWN BY CPG		
TOLERANCES UNLESS OTHERWISE SPECIFIED					SCALE 1/4"=1"	DATE 2-4-05	DWG. NO. 3G59453	
FRAC. ±.020		2 PL DEC ±.010		3 PL DEC ±.003		TITLE KIT ELEMENT DELTA	REV. A	