



A DIVISION OF GETZ FIRE EQUIPMENT

GETZ EQUIPMENT INNOVATORS
PART No. 4G59678
CARBON DIOXIDE MINI PUMP
FOR EXTINGUISHER SERVICE
(Revised 10-30-17)



2320 Lakecrest Drive, Pekin, Illinois 61554
Telephone: 888-747-4389 Fax: 309-495-0625
Website: www.getzequipment.com

Limited Warranty

Products manufactured by Getz Equipment Innovators (with exception of electrical products or components) will be free from defects for a period of one year from shipment date. Electrical products and/or components used in manufactured products will have a (6) month warranty from shipment date. During the warranty period, customers who experience any manufacture-related service issues with our products, the product may be returned for repair or replacement. Customer must contact Getz Equipment for approval prior to any product return. Notwithstanding the foregoing, the limited warranty set forth shall be immediately void of customer uses any replacement parts other than those provided by Getz Equipment Innovators. The warranty does not cover normal wear and tear items, defects resulting from modification, alteration, misuse, exposure to corrosive conditions, extremely high temperatures, improper installation or maintenance. Warranties on component items not manufactured by Getz Equipment Innovators are provided by others whose warranty, evaluation and judgment will be final.

All implied warranties, including, but not limited to, warranties of fitness for purpose and merchantability, are limited to the time periods as stated above. In no event shall Getz Equipment Innovators be liable to incidental or consequential damages. Some states do not allow limitations on how long an implied warranty lasts or the exclusions or limitation of incidental or consequential damages, so that the above limitations or exclusions may not apply to you. Getz Equipment Innovators neither assumes nor authorizes any representative or other person to assume for it any obligation or liability other than as expressly set forth herein.

Mobile Service Vehicles:

The warranty does not cover:

- Defects in the chassis and or power unit
- Defects in separately manufactured products not produced by Getz Equipment Innovators
- Deterioration due to normal wear, tear, and exposure
- Repairs made necessary by negligent use, misuse, abuse, loading the service vehicle beyond its gross vehicle weight limitations, accident, acts of God, or other contingencies beyond the control of Getz Equipment Innovators.
- Repairs deemed necessary by reason of the failure to follow ordinary maintenance procedures.
- Repairs deemed necessary by reason of alterations done without Getz Equipment Innovators' written approval.

Warranty Service:

- All warranty repairs will be performed by Getz Equipment Innovators in Pekin, IL, unless otherwise authorized by Getz Equipment Innovators.

Freight:

- Getz Equipment Innovators will not be liable for shipping or transportation charges to or from customer's location.

This warranty gives you specific legal rights, and you may also have other rights which vary from state to state. To obtain performance to the obligation of the warranty, write to Getz Equipment Innovators, 2320 Lakecrest Drive, Pekin IL 61554, USA for instructions.

SYSTEM REQUIRMENTS

1. Compressed air source producing 5-8 CFM at 40 PSI must have a moisture filter prior to the pump.
2. Thick, temperature-resistant gloves capable of protecting exposed skin to -35°F.
3. Safety glasses with side-shields.
4. Carbon Dioxide high pressure supply tank with dip tube (50, 75, 100 lb. size). **NOTE: IN THE USE OF A SUPPLY TANK WITH A DIP TUBE, THERE IS ONLY 70 – 75% OF USABLE LIQUID IN THE SUPPLY CYLINDER. RUNNING THIS C02 PUMP ON VAPOR ONLY WILL DAMAGE THE PUMP AND VOID THE WARRANTY.**

PUMP SET-UP

1. For the following steps, refer to the drawing on page 5. Remove the pump from the packaging. Bolt it to a wall or workbench by the mounting holes on the back of the pump enclosure (item 1). Open the enclosure to access the mounting holes. Close and latch the enclosure once this has been completed.
2. Uncoil the 3/8 supply hose (item 2) and attach it to the male flare fitting (item 3).
3. Uncoil the 1/4 fill hose (item 4) and attach it to the swivel fitting (item 5).
4. Uncoil the plastic tube (item 6). Attach the end fitting (item 7) to a compressed air source. Verify that the regulator pressure (item 16) is set to no greater than 40 PSI.
5. Insert the nylon gasket (item 8) into the grip wheel nut (item 9). Be careful that it does not fall out. Thread the grip wheel nut (item 9) firmly onto the liquid port on your Carbon Dioxide supply tank.

NOTE: ANY ALTERATIONS OR MODIFICATONS MADE TO THIS UNIT WILL VOID ALL WARRANTIES.

PUMP OPERATION

1. Slowly open the liquid valve on your Carbon Dioxide supply tank as you check for leaks. Open the fill valve (item 10). Carbon Dioxide vapor will come out. Wait until Carbon Dioxide snow appears. Close the fill valve (item 10).

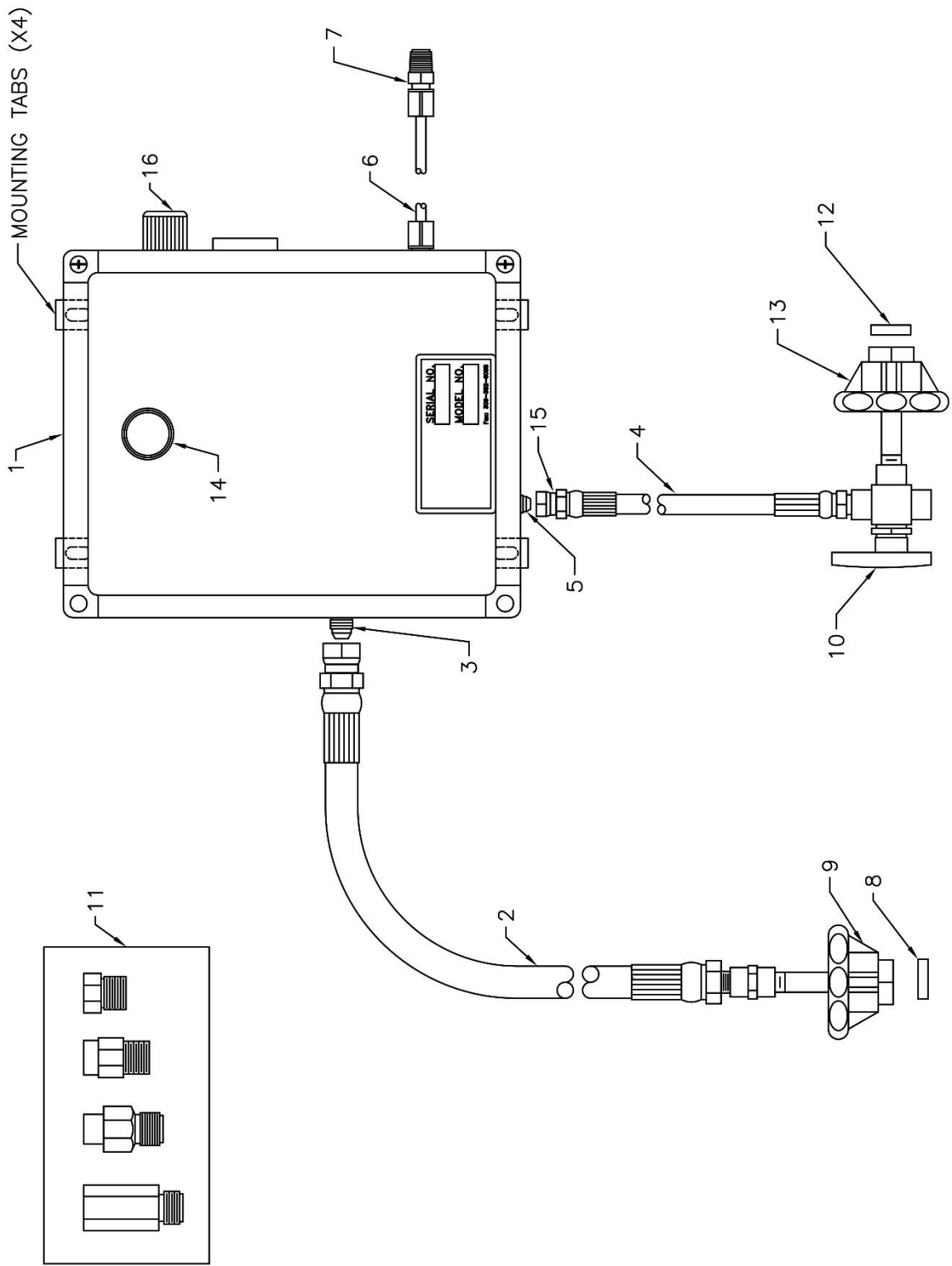
WARNING: Frost bite hazard. Do not expose skin to Carbon Dioxide liquid or vapor.

2. Attach one of the Carbon Dioxide adapters (items 11) to the valve head on the extinguisher you are going to fill.
3. Insert the nylon gasket (item 12) into the grip wheel nut (item 13) on the fill valve (item 10). Be careful that it does not fall out. Connect the grip wheel nut (item 13) to the adapter on the extinguisher. Secure the extinguisher to a scale so that it will not fall off. Tare the scale take note of the empty weight.
4. Open the valve on the extinguisher. Open the fill valve (item 10) and allow Carbon Dioxide to flow into the extinguisher. When the weight has stopped increasing; push the button (item 14) on the front of the enclosure (item 1) to begin pumping. Hold the button until you have filled the extinguisher to the correct weight.
5. Close the valve on the extinguisher. Briefly, turn the fill valve (item 10) to the vent position (see page 5) to relieve the pressure in the extinguisher valve. Close the fill valve (item 10).
6. Disconnect grip wheel nut (item 13) from the extinguisher. Repeat these steps for the next extinguisher of close all valves.

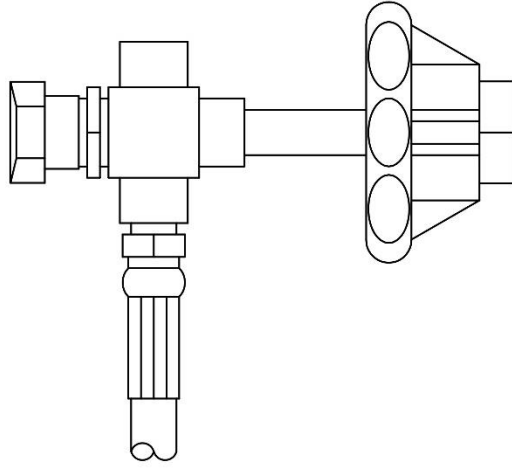
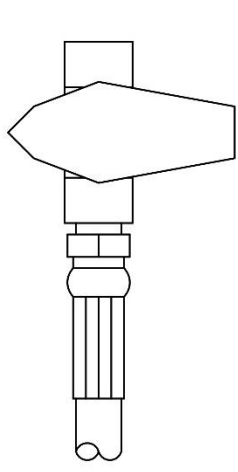
WARNING: Do not tamper with, modify, or plug pressure relief valves within the enclosure.

BILL OF MATERIALS

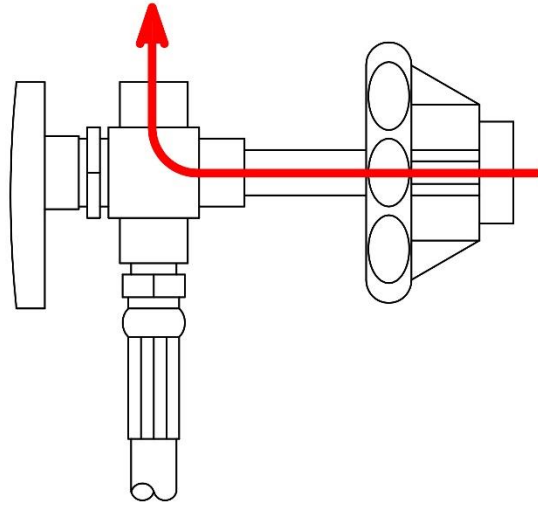
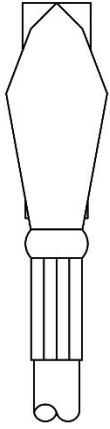
- | | | |
|-----|---------|--------------------------------|
| 1) | 3G59689 | ENCLOSURE PUMP CO2 MINI |
| 2) | 3G56315 | HOSE SYNFLEX 3/8 6FT M-F |
| 3) | 1G51020 | AD 3/8 ML x 9/16 FL (2021) |
| 4) | 3G56316 | HOSE SYNFLEX 1/4 6FT M-M |
| 5) | 1G51626 | PIPE ELB 1/4 SWIVEL |
| 6) | 1G0049 | MTL NYCOIL 1/4 WH |
| 7) | 1G0136 | CONN PLAS 1/4 ML x 1/4 TUBE |
| 8) | 1G52767 | WASHER NYLON WESTERN STEM |
| 9) | 3G59068 | STEM NUT & GRIPWHEEL NEW STYLE |
| 10) | 1G0061 | VLV BALL 3 WAY WHTY |
| 11) | 3G58509 | AD SET CO2 (4 PAK) |
| 12) | 1G52767 | WASHER NYLON WESTERN STEM |
| 13) | 3G59068 | STEM NUT & GRIPWHEEL NEW STYLE |
| 14) | 1G51943 | VLV PUSH BUTTON MEAD |
| 15) | 1G53627 | VLV GENERANT RLF |
| 16) | 1G53097 | REGULATOR |



OFF
POSITION



VENT
POSITION



FILL
POSITION

