



A DIVISION OF GETZ FIRE EQUIPMENT

**GETZ EQUIPMENT INNOVATORS**  
**PART NO.: 3G58630**  
**AIR PUMP HYDRO TEST SYSTEM**  
(Revised 6/8/18)



2320 Lakecrest Drive, Pekin, Illinois 61554  
Telephone: 888-747-4389 Fax: 309-495-0625  
Website: [www.getzequipment.com](http://www.getzequipment.com)

## Limited Warranty

Products manufactured by Getz Equipment Innovators (with exception of electrical products or components) will be free from defects for a period of one year from shipment date. Electrical products and/or components used in manufactured products will have a (6) month warranty from shipment date. During the warranty period, customers who experience any manufacture-related service issues with our products, the product may be returned for repair or replacement. Customer must contact Getz Equipment for approval prior to any product return. Notwithstanding the foregoing, the limited warranty set forth shall be immediately void of customer uses any replacement parts other than those provided by Getz Equipment Innovators. The warranty does not cover normal wear and tear items, defects resulting from modification, alteration, misuse, exposure to corrosive conditions, extremely high temperatures, improper installation or maintenance. Warranties on component items not manufactured by Getz Equipment Innovators are provided by others whose warranty, evaluation and judgment will be final.

All implied warranties, including, but not limited to, warranties of fitness for purpose and merchantability, are limited to the time periods as stated above. In no event shall Getz Equipment Innovators be liable to incidental or consequential damages. Some states do not allow limitations on how long an implied warranty lasts or the exclusions or limitation of incidental or consequential damages, so that the above limitations or exclusions may not apply to you. Getz Equipment Innovators neither assumes nor authorizes any representative or other person to assume for it any obligation or liability other than as expressly set forth herein.

### **Mobile Service Vehicles:**

The warranty does not cover:

- Defects in the chassis and or power unit
- Defects in separately manufactured products not produced by Getz Equipment Innovators
- Deterioration due to normal wear, tear, and exposure
- Repairs made necessary by negligent use, misuse, abuse, loading the service vehicle beyond its gross vehicle weight limitations, accident, acts of God, or other contingencies beyond the control of Getz Equipment Innovators.
- Repairs deemed necessary by reason of the failure to follow ordinary maintenance procedures.
- Repairs deemed necessary by reason of alterations done without Getz Equipment Innovators' written approval.

Warranty Service:

- All warranty repairs will be performed by Getz Equipment Innovators in Pekin, IL, unless otherwise authorized by Getz Equipment Innovators.

Freight:

- Getz Equipment Innovators will not be liable for shipping or transportation charges to or from customer's location.

This warranty gives you specific legal rights, and you may also have other rights which vary from state to state. To obtain performance to the obligation of the warranty, write to Getz Equipment Innovators, 2320 Lakecrest Drive, Pekin IL 61554, USA for instructions.

**GETZ AIR POWERED HYDROSTATIC TEST PUMP**

**MODEL #3G58630**

**TABLE OF CONTENTS**

**PAGE #**

1 .....	SET-UP AND OPERATING PROCEDURES
2 .....	TEST PROCEDURES AND TEST PRESSURE REGULATIONS
3 .....	PARTS LIST
4 .....	DRAWING 1
5 .....	DRAWING 2
6 .....	DRAWING 3
7 .....	DRAWING 4

## **OPERATING INSTRUCTIONS FOR FIRE EXTINGUISHER TESTING**

1. Equipment needed prior to hydro testing fire extinguishers that are not provided with the Getz model 3G58630 hydrostatic test pump:
  - A. Safety glasses
  - B. Hydrostatic test adapters
  - C. Regulator
  - D. Garden Hose
  
2. WARNING:
  - A. Do not exceed 90 PSI of incoming air supply.
  - B. Do not operate without approved safety glasses.
  - C. Do not modify any components within this system. Any use of parts other than Getz Equipment Innovators components excludes all written and implied liabilities.
  - D. Maximum testing pressure for this pump is 850 PSI.

### **SETUP PROCEDURES**

1. Connect the male fitting on your garden hose to #20 coupler and tighten securely. Then, connect female fitting on garden hose to clean water supply.
2. Close #21 ball valve and open #17 water supply valve and check for leaks.
3. Remove #9 plastic connector from #4 yellow tubing and thread tape or place sealant on male pipe threads. Screw #9 connector into the outlet port of your regulator and reconnect #4 yellow tubing to the #9 plastic connector in your regulator. Make sure #21 ball valve is closed and set regulator to 90 PSI.
4. Place #1 drain hose in an approved waste water drain and secure drain hose to floor or wall.

## **TEST PROCEDURES**

1. Clean cylinder thoroughly before testing.
2. Insert correct test adapter in cylinder and attach spin head assembly. Place in test cage.
3. Fill cylinder with water in upright position. Turn on the yellow water valve (#17).
4. Open blue drain valve until a steady stream of water appears in drain line. Close blue drain valve and apply a slight amount of pressure. Then open blue drain valve to assure all air is purged from cylinder. Then close blue drain valve.
5. Depress red push button until recommended test pressure is reached on gauge. Then, close the yellow water valve and black valve.
6. Monitor pressure for entire test time (minimum of 30 seconds). Pressure shall be stable by end of test time and must not drop below the minimum test pressure.
7. After test, open the blue drain valve and black valve. Drain the cylinder by inverting the test cage and opening the brass air valve.
8. After the water is drained, close the brass air valve. Revert the test cage and remove the cylinder from the cage and spin head assembly.

## **TEST PRESSURE REGULATIONS – DOT/NFPA**

1. Minimum test pressure must be maintained for at least 30 seconds, and as long as necessary for complete expansion of the cylinder.
2. Stored pressure fire extinguishers shall be hydrostatically tested to the pressure specified on the extinguisher nameplate.
3. Where pressure is not specified on the extinguisher nameplate, the extinguisher shall be tested at the factory test pressure, not to exceed three times the extinguisher service pressure.
4. The test equipment must be verified to be accurate within +/- 1.0% of the Reference Gauge's pressure values. This may be demonstrated at any point with 10% of the actual test pressure for each cylinder tested. If the pressure readings of the Pressure Indicating Device (gauge) do not match the readings of the Reference Gauge within +/- 1%, the test system is not verified.

## PARTS LIST

<u>NO.</u>	<u>PART #</u>	<u>DESCRIPTION</u>	<u>QTY</u>
1	1G0032	TUBING 1/2 I.D. CLEAR VINYL PER FT.	15.00
2	1G0035	HOSE 1/4 2750 PSI SYNFLX	4.00
3	1G0041	CLAMP 2 - EAR 3/4"	1.00
4	1G0047	TUBING POLY 1/4 YELLOW	10.00
5	1G0054	SWIVEL CONN. 1/4 MNPT X 1/4 FMLE SWIVEL	2.00
6	1G0076	BARB HOSE 1/4 MNPT X 1/2 HOSE	1.00
7	1G0079	CROSS BRASS 1/4 FNPT	1.00
8	1G0103	BUSHING BRASS REDUCING 1/2 TO 1/4	1.00
9	1G0136	CONNECTOR PLASTIC 1/4 TUBE X 1/4 MPT	1.00
10	1G0169	DECAL SERIAL NUMBER	1.00
11	1G0198	ELBOW 90 1/4" STEM TO 1/4" TUBE	1.00
12	1G0217	NIPPLE 1/2" NPT BRASS CLOSE	1.00
13	1G0228	PLUG 1/4 X 1/4 BRASS	1.00
14	1G0229	COUPLER HYDRO-TESTER	1.00
15	1G0274	RELIEF VALVE 850 PSI	1.00
16	1G0279	STRAINER HYDRO-TESTER	1.00
17	1G0302	1/4 BALL VALVE YELLOW	1.00
18	1G0304	BRASS TEE 1/4 FEMALE	1.00
19	1G0305	1/2 BRASS COULPING	1.00
20	1G0309	CONNECTOR BRASS GARDEN H.	1.00
21	1G0316	BALL VALVE 1/4 MX F 1000 PSI	3.00
22	1G0428	BRASS TEE 1/4	1.00
23	1G0480	CLAMP SPIN HYDRO TESTER RED	1.00
24	1G0577	CARTON HYDRO-TESTER	1.00
25	1G0598	HEAD ASSY. TEST CAGE	1.00
26	1G51031	SWIVEL FEMALE 1/4	1.00
27	1G51256	COUPLING 1/4 MALE SYNFLX	2.00
28	1G51332	FTNG GREASE ZERK	1.00
29	1G51556	NYLON TUBE 5/32	0.50
30	1G51624	PIPE ELB BR 1/4 ST	3.00
31	1G51639	PIPE ELB 1/4 ML X 5/32 TUBE	1.00
32	1G51646	PIPE NIP BR 1/8 X 1 1/2	1.00
33	1G51650	PIPE NIP BR 1/4 X 1 1/2	2.00
34	1G51681	PIPE RDCR BR 1/4 X 1/8	1.00
35	1G51683	PIPE RDCR BR 3/8 X 1/4	1.00
36	1G51695	PIPE TEE BR 1/4 BOX	1.00
37	1G51738	PUMP AIR HASKEL MS36	1.00
38	1G51837	LOW PRESSURE TEST STAND WITH CAGE	1.00
39	1G51912	VALVE CHECK 1/4 M6	2.00
40	1G51943	VALVE MEAD PUSH BUTTON	1.00
41	1G51948	WASHER FILTER N 107	2.00
42	1G52083	PIPE ELB 1/8 STR BR	1.00
43	1G52210	TIMER DIGITAL FOR HYDROS	1.00
44	1G52363	LEXAN PANEL FOR LP TESTER	1.00
45	1G52820	NEEDLE VALVE DOT PUMP	1.00
46	1G53564	PIPE ELBOW 1/8 MPT X 5/32 TUBE	1.00
47	3G0133	GAUGE 0-800 DIGITAL W/ CERTIFICATION	1.00
48	3G58583	PIPE STREET ELBOW W/3/16 TUBE	1.00

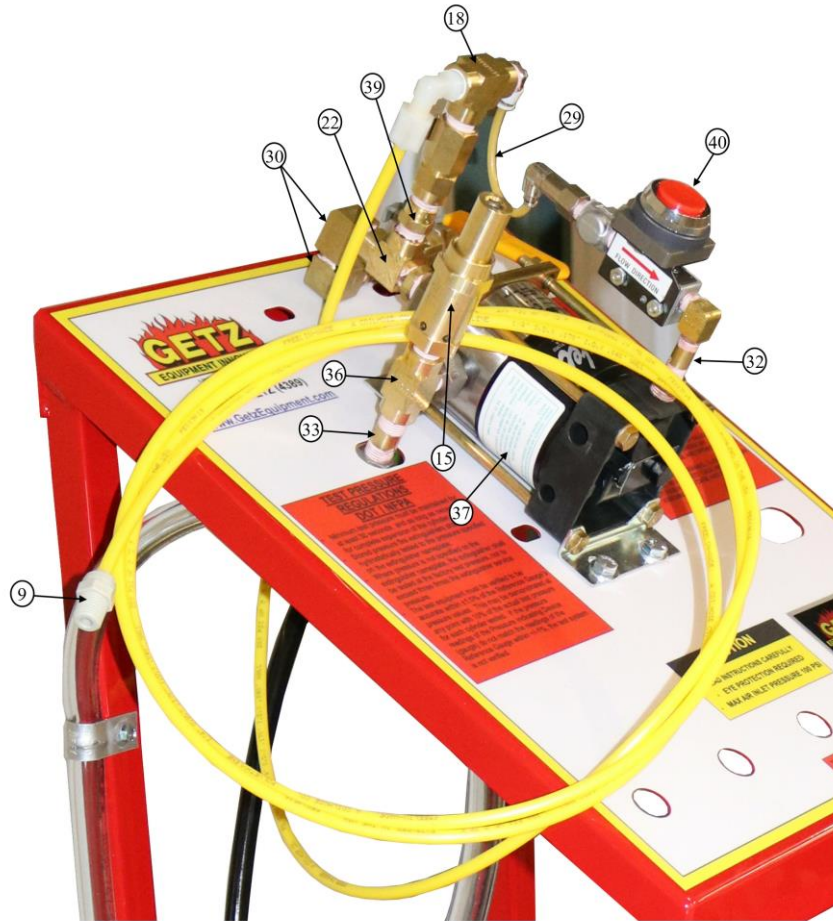
# DRAWING 1



## DRAWING 1 SHOWS THE FOLLOWING PARTS

ITEM NO.	PART NUMBER	DESCRIPTION	QTY.
1	1G0032	TUBING ½ I.D. CLEAR VINYL PER FT	15
2	1G0035	HOSE ¼ 2750 PSI SYNDFLEX	4
4	1G0047	TUBING POLY ¼ YELLOW	10
37	1G51738	PUMP AIR HSKEL MS36	1
38	1G51837	LOW PRESSURE TEST STAND W/CAGE	1
47	3G0133	GAUGE 0-800 DIGITAL W/CERTIFICATION	1
48	3G58583	PIPE STREET ELBOW W/ 3/16 TUBE	1

## DRAWING 2

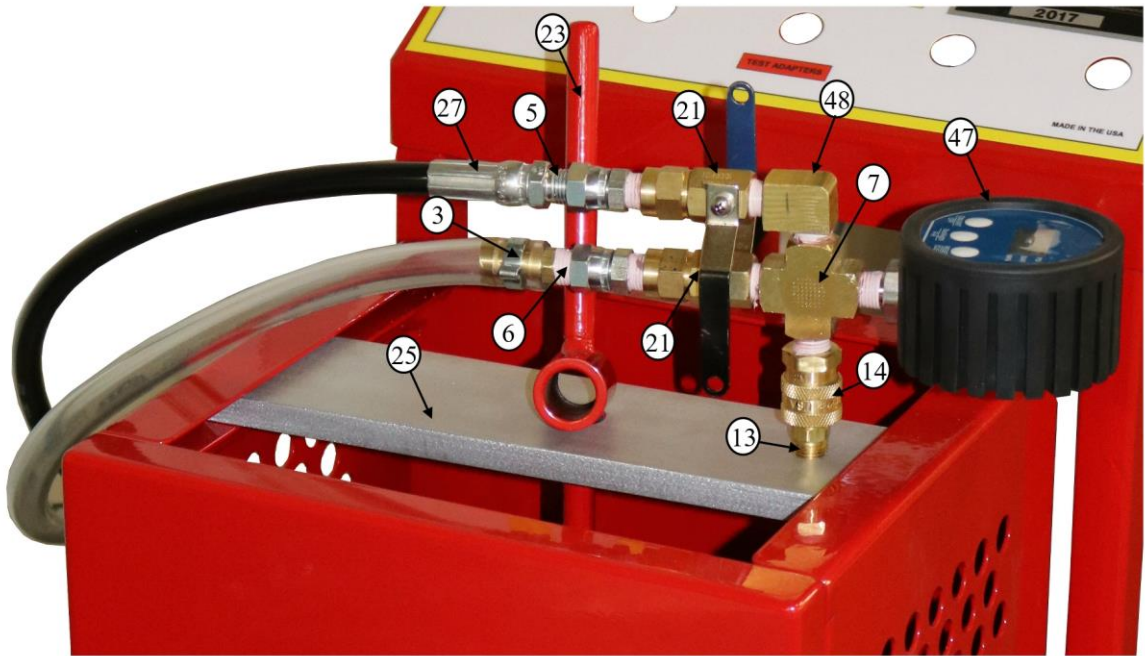


### DRAWING 2 SHOWS THE FOLLOWING PARTS

ITEM NO.	PART NUMBER	DESCRIPTION	QTY.
9	1G0136	CONNECTOR PLASTIC ¼ TUBE X ¼ MPT	1
15	1G0274	RELIEF VALVE 850 PSI	1
18	1G0304	BRASS TEE ¼ FEMALE	1
22	1G0428	BRASS TEE ¼	1
29	1G51556	NYLON TUBE 5/32	1
30	1G51624	PIPE ELB BR ¼ ST	1
32	1G51646	PIPE NIP BR 1/8 X 1 ½	1
33	1G51650	PIPE NIP BR ¼ X 1 ½	1
36	1G51695	PIPE TEE BR ¼ BOX	1
37	1G51738	PUMP AIR HASKEL MS36	1
39	1G51912	VALVE CHECK ¼ M6	1



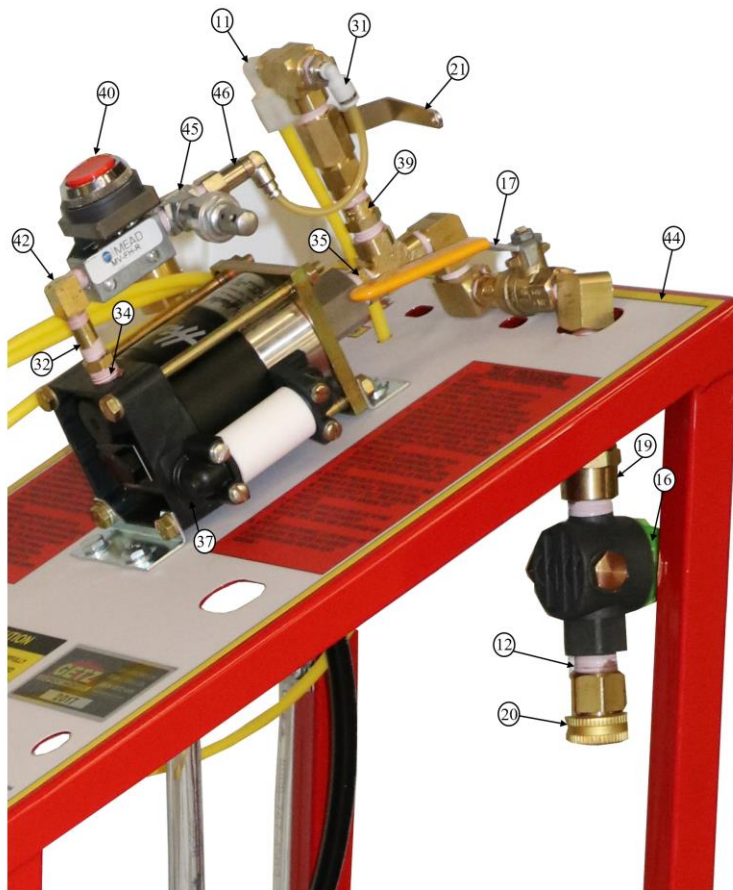
# DRAWING 3



## DRAWING 3 SHOWS THE FOLLOWING PARTS

ITEM NO.	PART NUMBER	DESCRIPTION	QTY.
3	1G0041	CLAMP 2 – EAR ¼	1
5	1G0054	SWIVEL CONN ¼ MNPT X ¼ FMLE SWIVEL	2
6	1G0076	BARB HOSE ¼ MNPT X ½ HOSE	1
7	1G0079	CROSS BRASS ¼ FNPT	1
13	1G0228	PLUG ¼ X ¼ BRASS	1
14	1G0229	COUPLER HYDRO-TESTER	1
21	1G0316	BALL VALVE ¼ MX F 1000 PSI	2
23	1G0480	CLAMP SPIN HYDRO TESTER RED	1
25	1G0598	HEAD ASSEMBLY TEST CAGE	1
27	1G51256	COUPLING ¼ MALE SYNDFLEX	1
47	3G0133	GAUGE 0-800 DIGITAL W/CERTIFICATION	1
48	3G58583	PIPE STREET ELBOW W/ 3/16 TUBE	1

## DRAWING 4



### DRAWING 4 SHOWS THE FOLLOWING PARTS

ITEM NO.	PART NUMBER	DESCRIPTION	QTY.
11	1G0198	ELBOW 90 ¼ STEM TO ¼ TUBE	1
12	1G0217	NIPPLE ½ NPT BRASS CLOSE	1
16	1G0279	STRAINER HYDRO-TESTER	1
17	1G0302	¼ BALL VALVE YELLOW	1
19	1G0305	½ BRASS COUPLING	1
20	1G0309	CONNECTOR BRASS GARDEN HOSE	1
21	1G0316	BALL VALVE ½ MX F 1000 PSI	1
31	1G51639	PIPE ELB ¼ ML X 5/32 TUBE	1
32	1G51646	PIPE NIP BR 1/8 X 1 ½	1
34	1G51681	PIPE RDCR BR ¼ X 1/8	1
35	1G51683	PIPE RDCR BR 3/8 X ¼	1
37	1G51738	PUMP AIR HASKEL MS36	1
39	1G51912	VALVE CHECK ¼ M6	1
40	1G51943	VALVE MEAD PUSH BUTTON	1
42	1G52083	PIPE ELB 1/8 STR BR	1
44	1G52363	LEXAN PANEL FORLP TESTER	1
45	1G52820	NEEDLE VALVE DOT PUMP	1
46	1G53564	PIPE ELBOW 1/8 MPT X 5/32 TUBE	1