



A DIVISION OF GETZ FIRE EQUIPMENT

**Getz Equipment Innovators
Part No.: 3G0047
Hydro - Aid**



2320 Lakecrest Drive, Pekin IL 61554

PH. (888) 747-4389 • Fax (309) 495-0625

Website: www.getzequipment.com

LIMITED WARRANTY

Products manufactured by Getz Equipment Innovators (with exception of electrical products or components) will be free from defects for a period of one year from shipment date. Electrical products and/or components used in manufactured products will have a (6) month warranty from shipment date. During the warranty period, customers who experience any manufacture-related service issues with our products, the product may be returned for repair or replacement. Customer must contact Getz Equipment for approval prior to any product return. Notwithstanding the foregoing, the limited warranty set forth shall be immediately void of customer uses any replacement parts other than those provided by Getz Equipment Innovators. The warranty does not cover normal wear and tear items, defects resulting from modification, alteration, misuse, exposure to corrosive conditions, extremely high temperatures, improper installation or maintenance. Warranties on component items not manufactured by Getz Equipment Innovators are provided by others whose warranty, evaluation and judgment will be final.

All implied warranties, including, but not limited to, warranties of fitness for purpose and merchantability, are limited to the time periods as stated above. In no event shall Getz Equipment Innovators be liable to incidental or consequential damages. Some states do not allow limitations on how long an implied warranty lasts or the exclusions or limitation of incidental or consequential damages, so that the above limitations or exclusions may not apply to you. Getz Equipment Innovators neither assumes nor authorizes any representative or other person to assume for it any obligation or liability other than as expressly set forth herein.

Mobile Service Vehicles:

The warranty does not cover:

- Defects in the chassis and or power unit
- Defects in separately manufactured products not produced by Getz Equipment Innovators
- Deterioration due to normal wear, tear, and exposure
- Repairs made necessary by negligent use, misuse, abuse, loading the service vehicle beyond its gross vehicle weight limitations, accident, acts of God, or other contingencies beyond the control of Getz Equipment Innovators.
- Repairs deemed necessary by reason of the failure to follow ordinary maintenance procedures.
- Repairs deemed necessary by reason of alterations done without Getz Equipment Innovators' written approval.

Warranty Service:

- All warranty repairs will be performed by Getz Equipment Innovators in Pekin, IL, unless otherwise authorized by Getz Equipment Innovators.

Freight:

- Getz Equipment Innovators will not be liable for shipping or transportation charges to or from customer's location.

This warranty gives you specific legal rights, and you may also have other rights which vary from state to state. To obtain performance to the obligation of the warranty, write to Getz Equipment Innovators, 2320 Lakecrest Drive, Pekin IL 61554, USA for instructions.

Getz Equipment Innovators Hydro - Aid

Table of Contents

Page

3	Getz Hydro - Aid
4	Parts List & Drawing

Hydro – Aid (3G0047)

Power Source:

- Shop air compressor
- Compressed air
- Shop vacuum

Assembly

Attach your vacuum hose to the vacuum port at the base of the stand. If you choose to use the supplied shrink sleeve insert your shop vacuum hose into the shrink sleeve until the vacuum hose is fitted against the vacuum port of the hydro-aid. While continuing to hold the shop-vac hose against the vacuum port use a heat gun or hair dryer to heat the shrink hose. Heat the shrink sleeve until it has completely collapsed around both the shop-vac hose and vacuum port of the hydro-aid. It is recommended that an approved HEPA (High Efficiency Particulate Air) filter be used on a 5.5HP or more shop vac. The regulated shop air supply out should be 40 psi attached to the supplied ball valve (maximum air pressure of 50 psi max).

NOTE: The same Hydro-Aid cannot be used for both functions of removing dry chemical and removing excess water. **If you are using the Hydro-Aid to remove excess water after testing, drill one to four holes using a ¼” bit around the base of the stand where it meets the base plate. This will allow water to drain.**

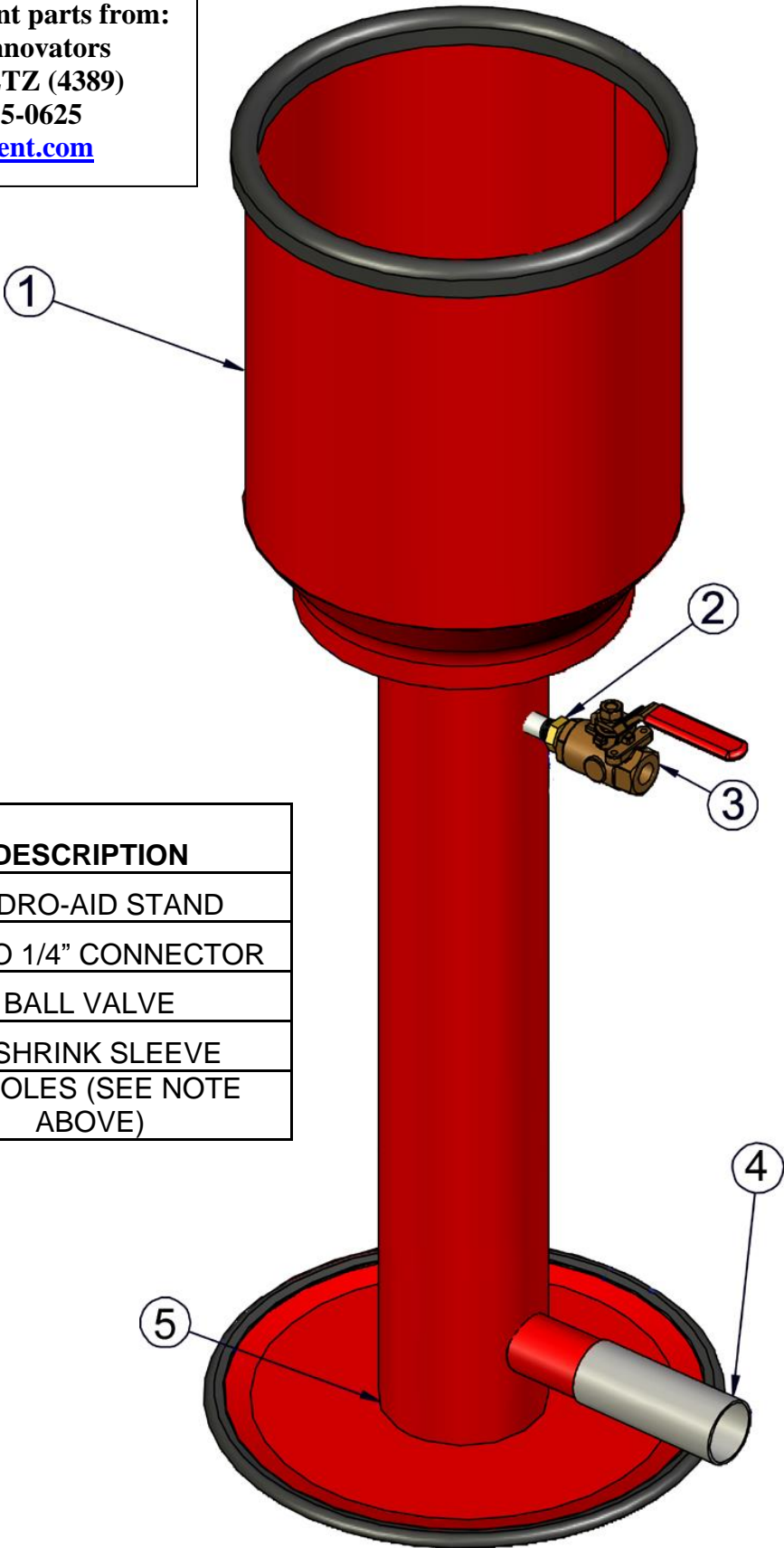
Operation

Wear safety glasses at all times while using this product. The extinguisher should be completely discharged, and valve assembly removed. Turn on your shop vacuum; you should feel suction around the rubber base in the interior of the hydro-aid. Invert the extinguisher making sure the air stem is inside the extinguisher. While pushing down on the extinguisher with your hand, **slowly** open the ball valve releasing air into the extinguisher. Rotate it in a circular motion causing any residual chemical to be broken up and vacuumed. Continue to keep pressure on the bottom of the extinguisher cylinder with your hand. Close the ball valve before removing the extinguisher. Visually inspect the inside of the extinguisher to make sure all residual chemical has been removed before hydro testing. Repeat the air injection steps if necessary.

After the extinguisher has been tested and the water drained you can use the water model of the hydro-aid to assist in removing any residual water. Invert the extinguisher and place in the hydro-aid making sure the air stem is inside the extinguisher. While pushing down on the extinguisher **slowly** open the ball valve releasing air into the extinguisher. Rotate it in a circular motion causing any residual water to be drained out the neck. Close the ball valve before removing the extinguisher.

NOTE: The same Hydro-Aid cannot be used for both functions of removing dry chemical and removing excess water. **If you are using the Hydro-Aid to remove excess water after testing, drill one to four holes using a ¼” bit around the base of the stand where it meets the base plate. This will allow water to drain.**

Please order replacement parts from:
Getz Equipment Innovators
 Phone (888) 747-GETZ (4389)
 Fax (309) 309-495-0625
www.getzequipment.com



ITEM NO.	PART NUMBER	DESCRIPTION
1	1G0224	HYDRO-AID STAND
2	1G0116	3/8" TO 1/4" CONNECTOR
3	1G0302	BALL VALVE
4	1G0223	6" SHRINK SLEEVE
5	N/A	1/4" HOLES (SEE NOTE ABOVE)